

FS-6 Series Safety Foot Switches

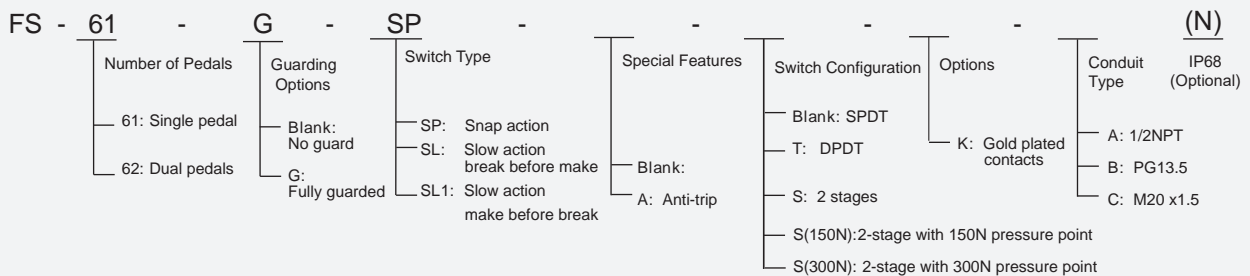
Features

- Robust aluminum alloy die cast body
- Choice of different type of contact blocks
- Galvanically separated contacts
- Double break contacts
- Screw terminals with self-lifting clamps for easy wiring
- Positive opening of NC contacts
- Safety reset option available
- UL/CSA approval(E216958)
- Threaded hole available in:
PG13.5, M20x1.5 and 1/2NPT

Specifications

Operating Frequency	60 ops/min
Insulation Resistance	>100MΩ@500V DC
Contact Resistance	<25mΩ (initial)
Rated Current/Voltage	10A/600V AC A600/AC15 Q300/DC13
Inrush Current	Complies with IEC947-5-1: AC15/DC13
Dielectric Strength	1000VAC for 1 min between current carrying parts 2500VAC for 1 min between non-current carrying parts
Service Life	Mechanically 1 x10 ⁶ (operations) Electrically 5 x10 ⁵ (operations)
Operating Temperature	-30~+80°C (-22~176°F)
Degree of Protection	IP65, NEMA type 2, 4, 13 (IP68, NEMA type 6, 6P available on request)

Selection Guide:




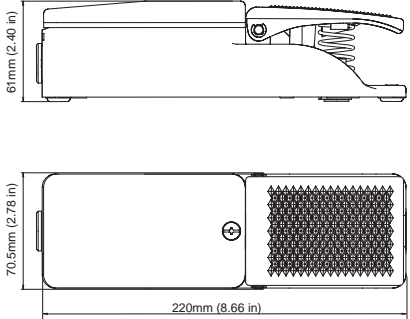
Part Number*	Description	Guard	Anti-Trip	Protective Gate	Stage	Circuit	Degree of Protection	Electrical Ratings
FS-61-SP	Momentary	No	No	No	1	SPDT	IP65	10A/600VAC A600/AC15 Q300/DC13
FS-61-SP-A	Momentary	No	Yes	No	1	SPDT	IP65	
FS-61-SP-T	Momentary	No	No	No	1	DPDT	IP65	
FS-61-SP-S	Momentary	No	No	No	2	DPDT	IP65	
FS-61-SP-A-T	Momentary	No	Yes	No	1	DPDT	IP65	
FS-61-SP-A-S	Momentary	No	Yes	No	2	DPDT	IP65	
FS-61G-SP	Momentary	Yes	No	No	1	SPDT	IP65	
FS-61G-SP-A	Momentary	Yes	Yes	No	1	SPDT	IP65	
FS-61G-SP-T	Momentary	Yes	No	No	1	DPDT	IP65	
FS-61G-SP-S	Momentary	Yes	No	No	2	DPDT	IP65	
FS-61G-SP-A-T	Momentary	Yes	Yes	No	1	DPDT	IP65	
FS-61G-SP-A-S	Momentary	Yes	Yes	No	2	DPDT	IP65	
FS-62-SP	Momentary	No	No	No	1	SPDT	IP65	
FS-62-SP-A	Momentary	No	Yes	No	1	SPDT	IP65	
FS-62-SP-T	Momentary	No	No	No	1	DPDT	IP65	
FS-62-SP-S	Momentary	No	No	No	2	DPDT	IP65	
FS-62-SP-A-T	Momentary	No	Yes	No	1	DPDT	IP65	
FS-62-SP-A-S	Momentary	No	Yes	No	2	DPDT	IP65	
FS-62G-SP	Momentary	Yes	No	No	1	SPDT	IP65	
FS-62G-SP-A	Momentary	Yes	Yes	No	1	SPDT	IP65	
FS-62G-SP-T	Momentary	Yes	No	No	1	DPDT	IP65	
FS-62G-SP-S	Momentary	Yes	No	No	2	DPDT	IP65	
FS-62G-SP-A-T	Momentary	Yes	Yes	No	1	DPDT	IP65	
FS-62G-SP-A-S	Momentary	Yes	Yes	No	2	DPDT	IP65	

* Add conduit type suffix to get the complete part numbers


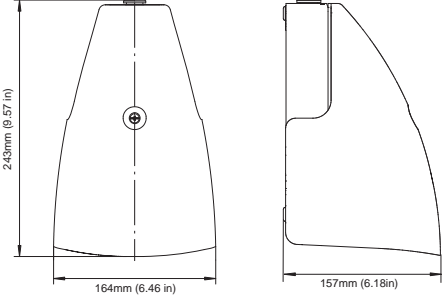
FS-6 Series Safety Foot Switches

Dimensions:


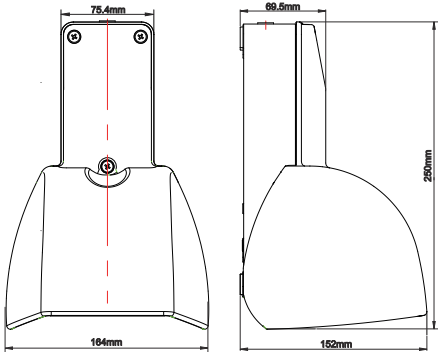
FS-61


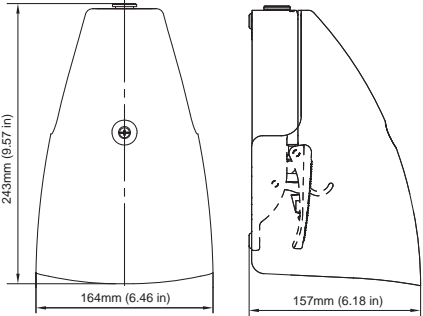
FS-61G(IP65)

FS-61G-N(IP68)

FS-61G (Anti-trip)

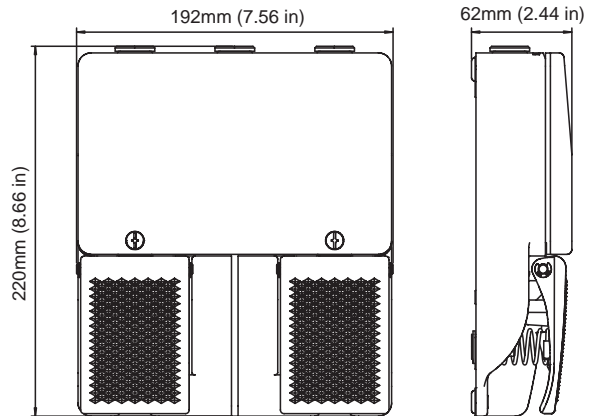



FS-6 Series Safety Foot Switches

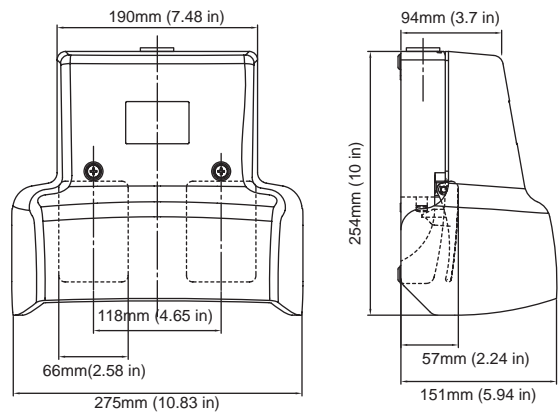
Dual Pedals Safety Foot Switches

Dimensions:

FS-62



FS-62G



FS-62G (Anti-trip)

